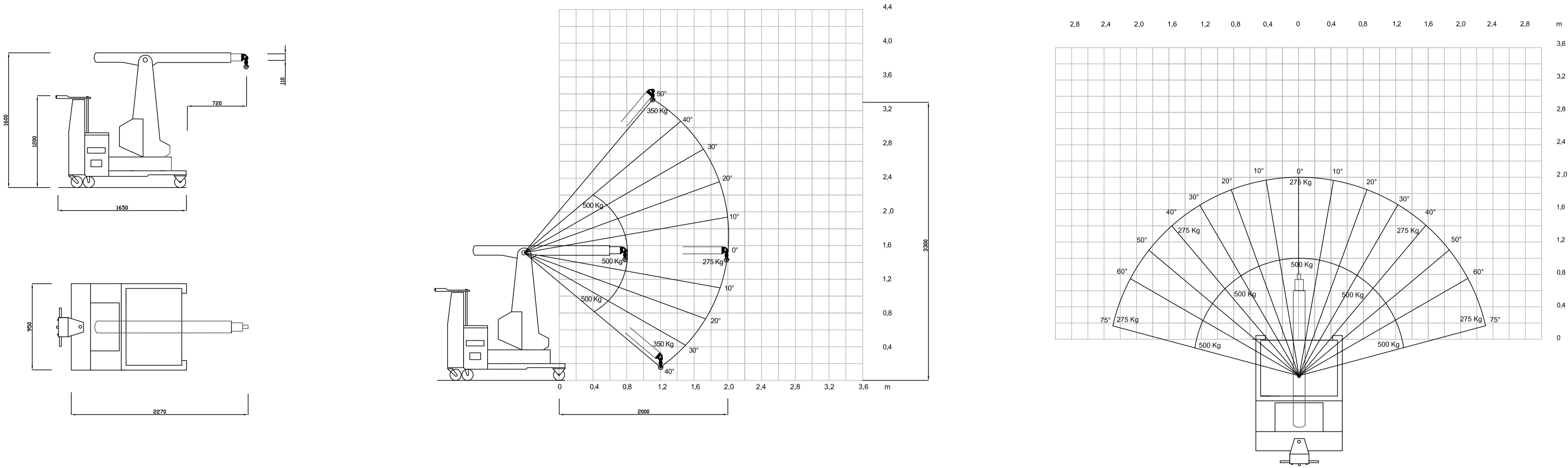


ELECTRO HYDRAULIC CRANE MODEL GB 500 TR

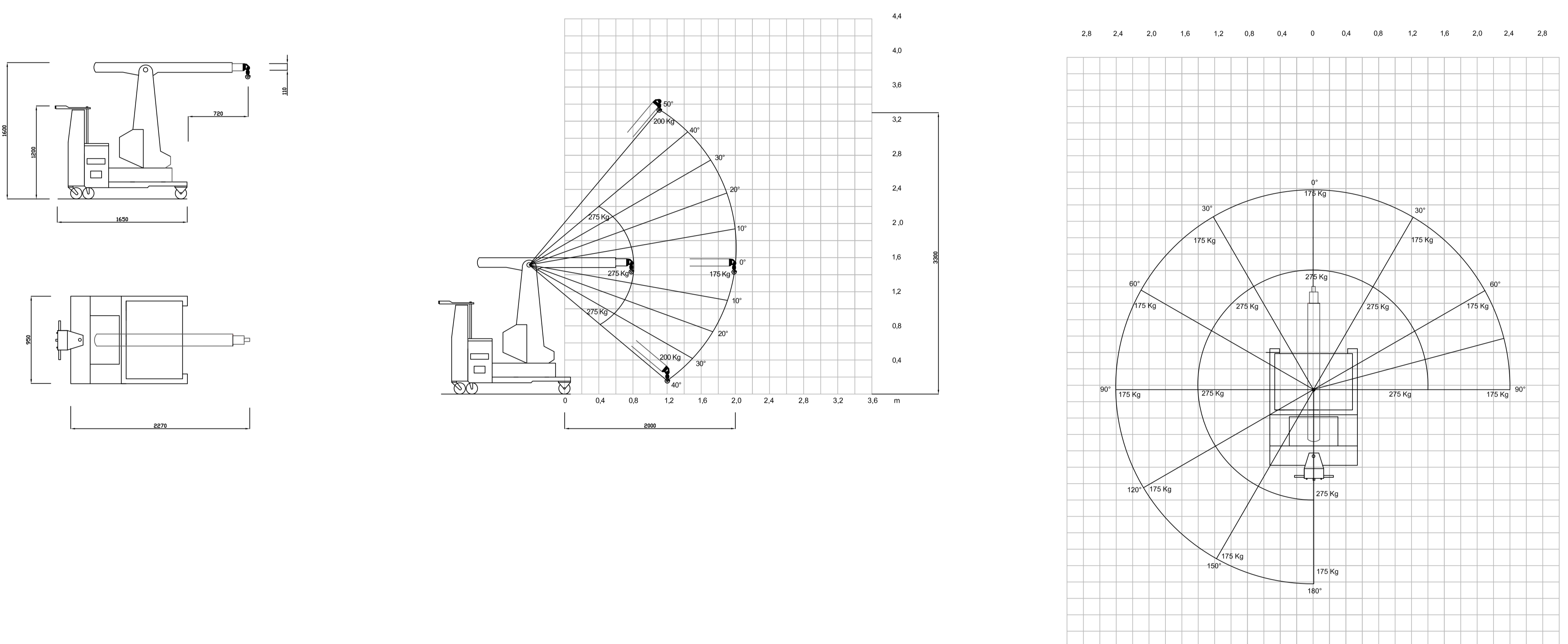
CONFIGURATION N° 1: GB 500 BASIC VERSION

- Max. capacity 500 Kg
- Max. telescopic extension 2.000 mm
- Winch: no



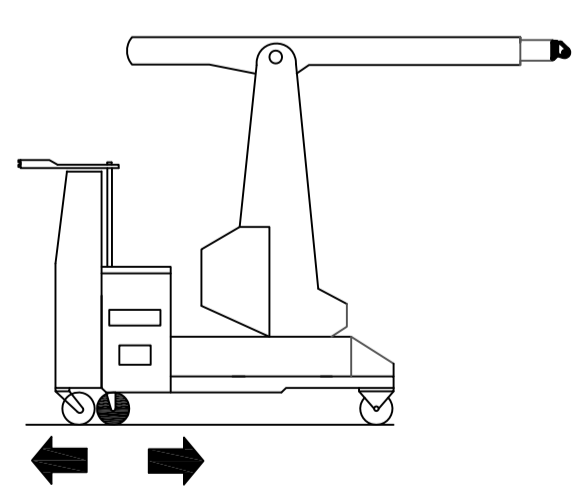
CONFIGURATION N° 2: GB 500 BASIC VERSION + RT003

- Max. capacity 500 Kg
- Max. telescopic extension 2.000 mm
- Rotation 270°

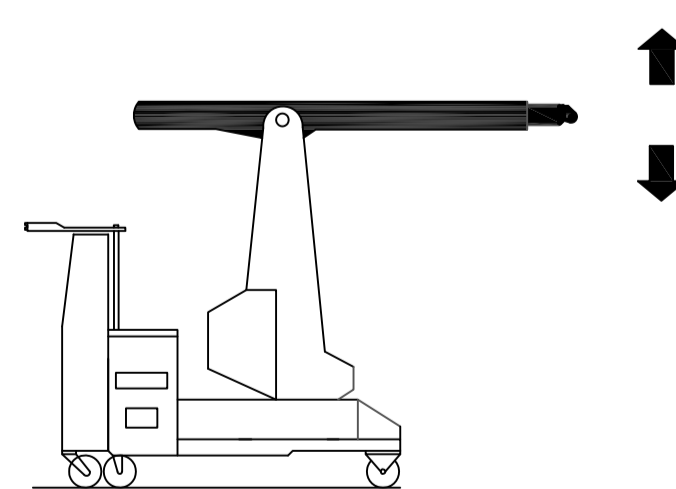


MOVEMENTS

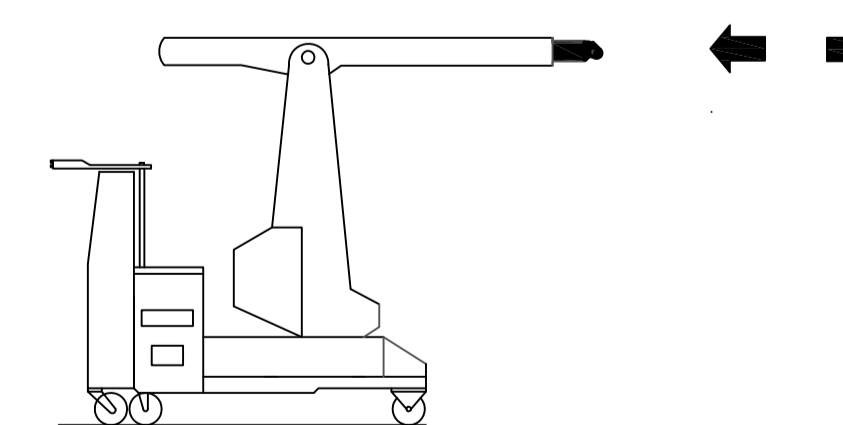
1) Proportional hydraulic movement of front/rear traction controlled by controle panel



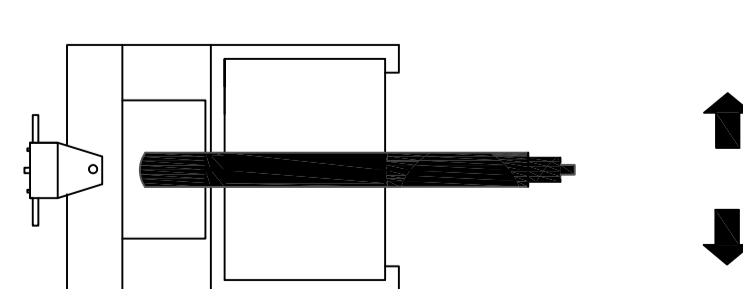
2) Proportional hydraulic movement of lift /descent main arm controlled by controle panel and by wireless remote control



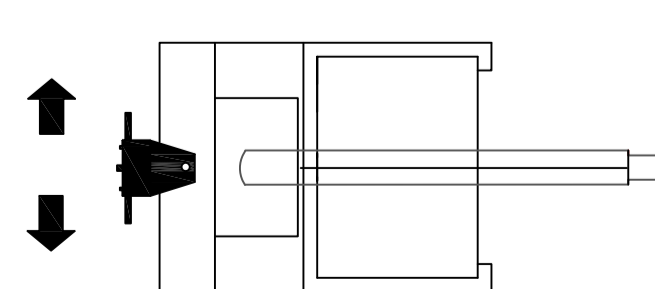
3) Proportional hydraulic movement of exit/return telescopic arm controlled by controle panel and by wireless remote control



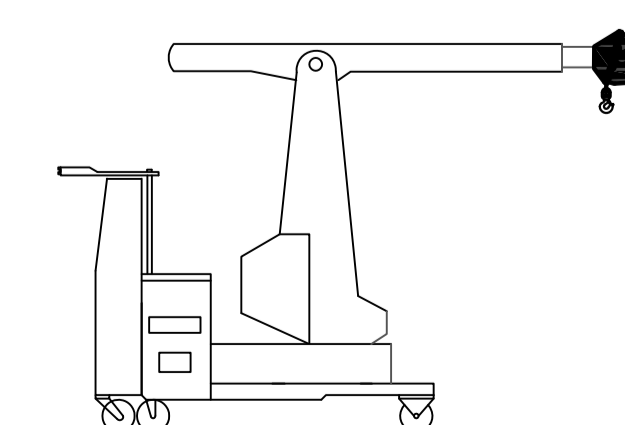
4) Proportional hydraulic movement of left /right main arm rotation controlled by controle panel and by wireless remote control



5) Proportional mechanical movement of left /right steering rotation controlled by hands



6) Proportional hydraulic movement of lift /descent winch rope controlled by controle panel and by wireless remote control



QUANTITA'	DENOMINAZIONE	RIF. DIS.	POS.	MATERIALE	DIMENSIONI	MODELLO	PESO
	Completo ELECTRO HYDRAULIC CRANE MODEL GB 500 TR				Scala	Disegn. 28 - 09 - 2014 Control. 00 - 08 - 2007 Vista 00 - 08 - 2007 Modific. 00 - 08 - 2007	
	Tipo	MODIFICHE: Sostituito II	Modificato	Modificato			Disegno N.: 31.00.016.07